

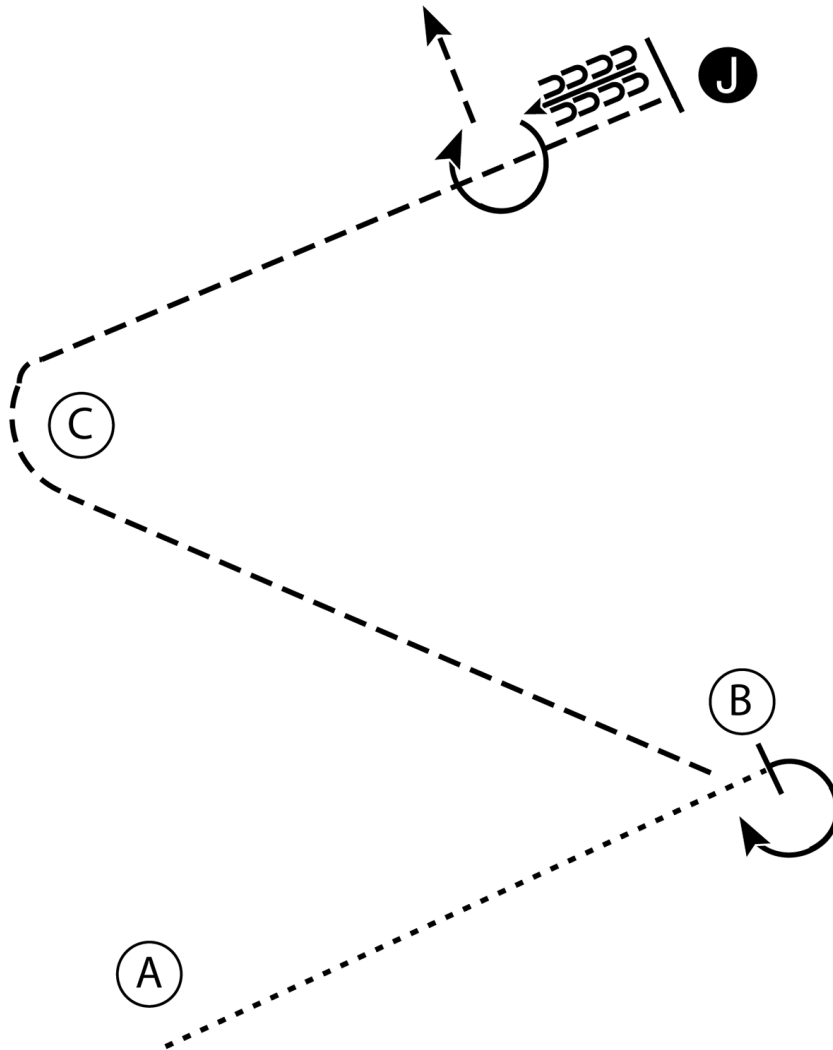
# 2019-2022 Kent County Youth Fair - Ring B

## Class 114 - Saddle Seat Fitting & Showing (Senior)

Show Date:

www.HorseShowPatterns.com

www.HorseShowPatterns.com



1. Begin at A. Walk from A to B.
2. Stop and perform a 245 degree turn.
3. Trot around C to the Judge. Set up for inspection.
4. When dismissed back four steps and perform a 270 degree turn.
5. Trot to the line-up.

- Walk .....|
- Trot - - - - -|
- Back ← .....|
- Marker (B)
- Judge (J)

[S/3-6]

**Pattern Provided by:**  
*The Pattern Committee*

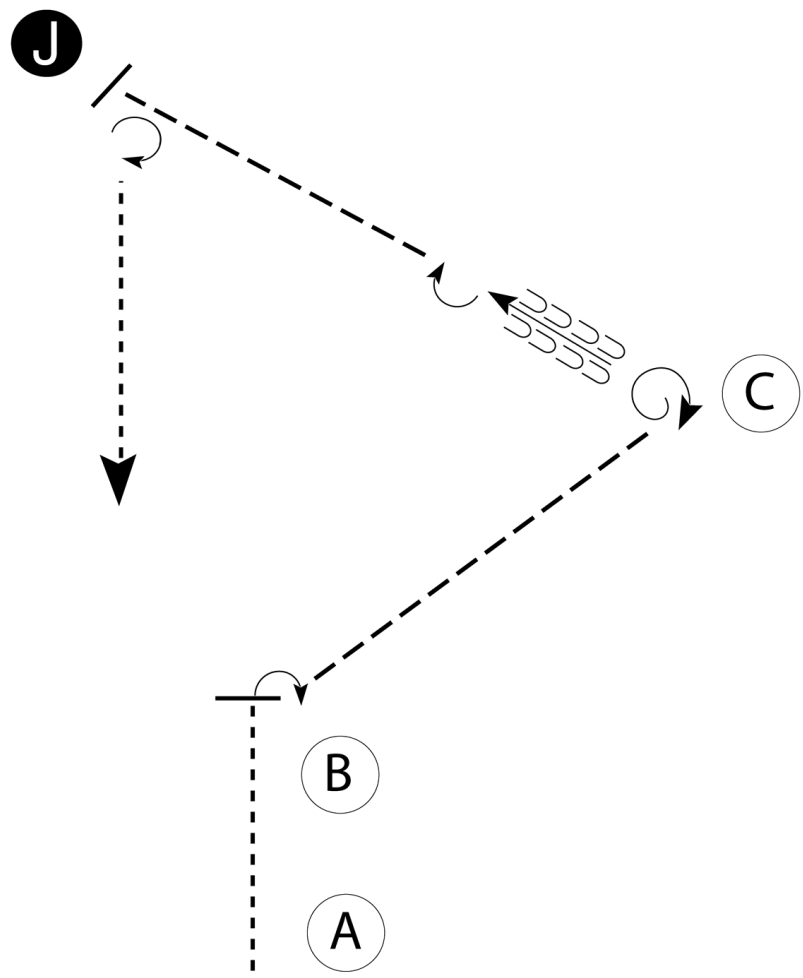
# 2019-2022 Kent County Youth Fair - Ring B

## Class 116 - Hunt Seat Fitting & Showing (Senior)

Show Date:

www.HorseShowPatterns.com

www.HorseShowPatterns.com



Be ready at A.

1. Walk to B.
2. Stop and pivot to the right.
3. Trot to C.
4. Perform a 450 degree turn.
5. Back approximately one horse length.
6. Perform a 180 degree turn.
7. Trot to judge.
8. Stop and set up for inspection.
9. When dismissed, perform a 225 degree turn.
10. Walk straight away from judge.

Walk	-----
Trot	- - - - -
Back	← ⊃ ⊃ ⊃ ⊃
Marker	⊙ B
Judge	● J

Follow the instructions of your ring steward.

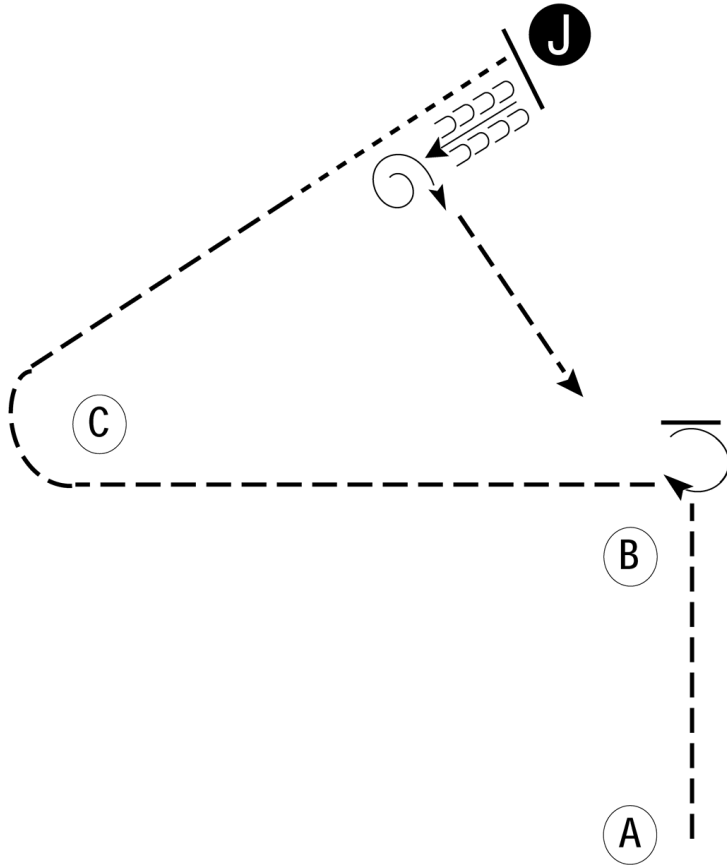
[S/3-51]

**Pattern Provided by:**  
*The Pattern Committee*

# 2019-2022 Kent County Youth Fair - Ring B

## Class 118 - Western Fitting & Showing (Senior)

Show Date:



Be ready at A.

1. Trot from A past B.
2. Stop and perform 270 degree turn.
3. Trot around C. Break to a walk half way to the Judge.
4. Walk to Judge, stop and set up for inspection.
5. When dismissed back one horse length.
6. Perform a 450 degree turn and trot to the line-up or follow the instructions of your ring steward.

<b>Walk</b>	-----
<b>Trot</b>	- - - - -
<b>Back</b>	← - - - - ← - - - -
<b>Marker</b>	( B )
<b>Judge</b>	( J )

[S/3-14]

**Pattern Provided by:**  
*The Pattern Committee*

www.HorseShowPatterns.com

www.HorseShowPatterns.com